

# Clinical Prediction on ML based Internet of Things for E-Health Care System

Shivi Chaturvedi<sup>1</sup>

<sup>1</sup>Computer Science and Engineering, GCRG Group of Institutions, Lucknow, UP, India

## Article Info

### Article history:

Received August 17, 2023  
Revised September 10, 2023  
Accepted September 18, 2023

### Keywords:

IoT  
Healthcare system  
Classification  
ANFIS  
KNN

## ABSTRACT

Machine learning (ML) is a powerful method for uncovering hidden patterns in data from the Internet of Things (IoT). These hybrid solutions intelligently improve decision-making in a variety of fields, including education, security, business, and healthcare. IoT uses machine learning to uncover hidden patterns in bulk data, allowing for better forecasting and referral systems. IoT and machine learning have been embraced in healthcare so that automated computers may generate medical records, anticipate diagnoses, and, most critically, monitor patients in real-time. On different databases, different ML algorithms work differently. The overall outcomes may be influenced by the variance in anticipated results. In the clinical decision-making process, there is a lot of variation in prognostic results. As a result, it's critical to comprehend the various machine learning methods utilized to handle IoT data in the healthcare industry. Machine learning of adaptive neuro-fuzzy inference system (ANFIS) algorithms is being used to monitor human health in this suggested effort. The UCI database is used for initial training and validation of machine learning systems. Using the IoT system, the test phase collects the person's heart rate, blood pressure, and temperature. The test stage assesses if the sensor data obtained by the IoT framework can predict any irregularities in the health state. To evaluate the accuracy of the forecast %, statistical analysis is performed on cloud data acquired from the IoT. Other routines are derived from K-neighbour results.

*This is an open access article under the [CC BY-SA](https://creativecommons.org/licenses/by-sa/4.0/) license.*



## Corresponding Author:

Shivi Chaturvedi  
Computer Science and Engineering  
GCRG Group of Institutions  
Lucknow  
Uttar Pradesh, India  
Email: shivi.chaturvedi@gmail.com

## 1. INTRODUCTION

Health prognosis systems help hospitals right away transfer outpatients to less congested treatment centres. The number of patients receiving actual hospital treatment. A fitness prognosis machine describes the common trouble of sudden changes in patient flows in hospitals. Many hospitals require fitness care services, which include ambulance visits and normal outpatient services at some point for herbal screw-ups and motor car injuries [1]. Hospitals that don't see actual-time records on patient flows regularly find it difficult to meet demand, whilst close-by facilities may have fewer patients. The Internet of Things (IoT) creates a connection to facilitate communication among virtual machines and bodily things. It allows an instantaneous series of facts through modern microprocessor chips [2].

It is noteworthy that fitness care is set to improve and protect fitness by diagnosing and preventing problems. Similarly, specific abnormalities consisting of seizures and heart assaults can be monitored [3]. Populace increase and the abnormal spread of persistent conditions have affected modern-day fitness centres. The general demand for scientific assets, which includes nurses, physicians and hospital beds, is high. As a

result, there may be a desire to reduce pressure on fitness packages while maintaining the quality and fashion of health centres [4]. IoT gives ability measures to lessen the strain on fitness structures. In particular, patients' heart charges can be effortlessly monitored by using clinicians through fitness monitoring applications, therefore helping clinicians make the correct diagnosis [5] as gadgets were developed. Regardless of the blessings of IoT in healthcare, both IT professionals and scientific specialists are worried about facts security [6]. Therefore, numerous research has evaluated the integration of IoT with gadgets gaining knowledge of (ML) to screen patients with medical problems as a measure to hold facts integrity. IoT has opened a new generation for the healthcare quarter, permitting experts to connect to sufferers earlier. IoT with system gaining knowledge of evaluates emergency remedies [7]. Patients who go to hospitals suffer from a diffusion of conditions, some of which require urgent clinical interest. The state of affairs worsens when patients in need of emergency treatment must wait in lengthy queues. The problem is exacerbated by the lack of hospitals in growing countries. Hospitals are overcrowded, and many sufferers return home in search of scientific treatment.

Moreover, the use of IoT allows hospitals to screen the vital signs and symptoms of sufferers with persistent situations [8]. The PC uses such statistics to assess the patient's health through a variety of methods. IoT sensors are placed at the affected person's frame to detect their feature and are expecting capacity fitness fame. For instance, the IoT sensors gadget video display units diabetics to predict disorder tendencies and any abnormalities in patients. Through the fitness prognosis device, sufferers can acquire referrals from opportunity hospitals for remedy. Particularly, ZigBee used requirements, which include the IEEE 802.15.4 protocol, temperature indicators, spirometer information, coronary heart rate, and electrocardiogram to evaluate patients' health repute. The facts obtained are then transmitted over radio frequencies and displayed on display devices, along with computing device computers or cellular devices [10]. As a consequence, integrating IoT with device-gaining knowledge allows health care for patients by means of enhancing communication among sufferers and physicians.

Affords IoT systems for tracking and tracking sufferers via sensor networks that encompass each software program and hardware. The latter consists of a device inclusive of a Raspberry Pie system consisting of sensor statistics, information cloud storage, and evaluation of facts saved within the cloud to assess fitness problems [11]. However, discrepancies usually get up whilst there are whilst seizures arise inside the mind [12]. As an end result, device learning strategies to combine the heart charge sensor with raspberry pie boards are used to show odd consequences through LCD or serial display. Because of the extensive variety of statistics, cloud computing is used to store statistics and improve the evaluation of facts [13]. Therefore, the use of devices studying IoT enables us to expect anomalies as a result of unauthorized capabilities in numerous frame components.

It is important to word that device getting to know is huge information is the overall approach and input for evaluation carried out the use of to-be-had records [14]. Massive information allows IoT and gadget studying systems to effortlessly train a laptop in the use of easy facts to expect clinical conflicts. The accuracy of the predictions is directly proportional to the amount of huge records trained [15]. Therefore, huge records improve the predictive capacity of gadget-mastering strategies used in fitness prediction websites.

Appreciatively, system mastering techniques are used to train the class of particular health activities including falls in aged patients [16]. Clustering mechanisms can efficaciously hit upon unusual behavioural styles in sufferers and ship alarms to health care providers. Further, the patient's every day hobby is monitored by way of day by day ordinary samples with IoT microchips. This information is used to diagnose personal anomalies.

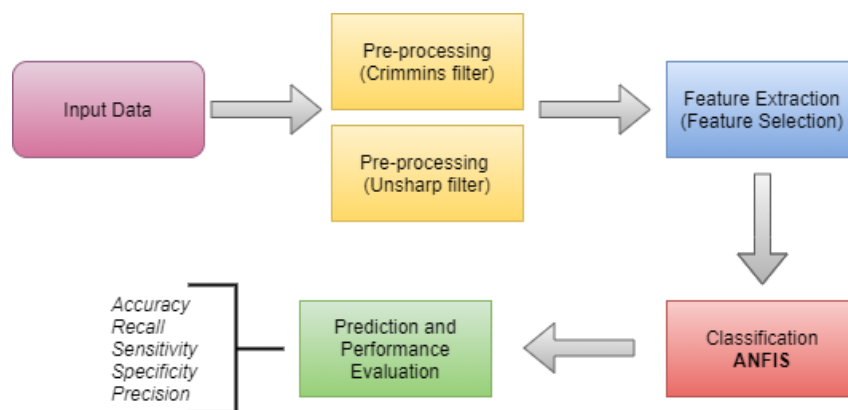


Figure 1. Proposed Methodology Block diagram

Figure 1 shows the proposed method block diagram. This proposed work works with various disciplines such as input data acquisition, source data filtration and normalization, selecting the best feature from the feature extraction technique and finally predicting diseases from the proposed classification. The proposed ANFIS classification accurately predicts diseases and is analyzed experimentally by different parameters shown and discussed in section.

The relaxation of the paper is prepared as follows: section 2 is mentioned as a literature evaluation of previous ML class algorithms based on IoT fashions. Phase three discusses the proposed approach. Segment 4 suggests and describes the test outcomes of the proposed work. Eventually, segment six will complete the proposed work.

## 2. LITERATURE SURVEY

This section elaborates on the various issues using different machine learning algorithms with IoT. The portrayed wellbeing observation application, planned with logical information quality, assessment technique and interaction calculation [17], incorporates some strategies for preparing to achieve quality investigation in ongoing infections. The exploration program SCS checks some ideally put-together techniques with respect to getting correspondence arrangement quality rules, idealness, pertinence, exactness, accessibility, helpfulness, openness, dynamic security and security. Information assortment ought to be exact and liberated from blunders gathered from clinical gadgets and put away by back-end workers. The theoretical model of value utilizes a dimensional model to interface information models as indicated by various gatherings, rules, estimations and standard measures. Observing application assortment, handling and conveyance from the information distribution centre. To control, keep up with, and further develop information quality displaying frameworks.

A medical services checking framework is portrayed to help the patient in routine pulse observation utilizing four unmistakable modules: patient information input, information collaboration, UI, and information handling. i) Periodically distinguish the patient's bloodstream and pulse utilizing a photograph platysma graphy (PPG) sensor. ii) Patient heartbeat observation can be separated utilizing simple to computerized converters. Information correspondence admission UIs are utilized to comprehend the patient's condition in the emergency clinic, despite the fact that administrations can be performed before the specialist leaves the patient's room. Iii) Process Model Checks the patient's pulse, and if the pulse drops, a sound video signal is created that is shipped off to all important doctor unit rooms.

The distinguish awkward, weighty burden lifting, anxious work, greatest and least weight limit in a workplace. EMG frameworks are utilized in the working environment to identify any anomalies in the weighing of labourers' products. Quick Fourier Transform (FFT) utilizes the sign size and recurrence change for quick flagging utilizing three primary strategies utilizing time recurrence for basic wave transformation investigation of the EMG signal. ESP 8266 WiFi module was added to the EMG framework for signal change.

In [20], Quick enhancements in AI strategies identified with clinical wellbeing sciences carried out by neural organizations, end trees, and arbitrary backwoods methods are depicted. The two key parts are thought about fundamentally in the dataset analysis (PCA) and in the Minimum Recovery Maximum Relationship (MRMR) for Type 1 and Type 2 Diagnosis. ML is utilized in data set assessment, varieties and cross-checks. Neural organizations, design acknowledgement MAT research facility forward and criticism networks are utilized.

## 3. PROPOSED METHODOLOGY

In this state of affairs, the e-health care tracking device is based totally on IoT, with a system mastering an ANFIS set of rules that takes actual-time information from the human frame. A few components of the facts are that every day, along with pregnancy, glucose, blood stress, pores and skin thickness, and age-primarily based diabetes, The proposed device's goal is to lay out a brand-new utility that uses the Internet of Factors (IoT) structure and system to gain knowledge.

Figure 2 shows the proposed framework structure. E-Healthcare is an IoT application that screens online patient wellbeing, observing and intermittently evaluating for different persistent sicknesses. Mostly tolerant studies and unusual conditions can be handily recognized in e-medical care applications. IoT-based wellbeing assets are utilized to gather information from patients in different living regions, such as emergency clinics, homes, and work environments. The gathered information is quickly put away on the nearby e-medical care worker and used to make AI-preparing models of ANFIS order calculations. The gathered patient data is utilized for forecast, survey examination, and dynamic and information representation. This administration includes routine checking, important information assortment, precise symptomatic investigation, and convenient patient administration. E-Health Security Compatibility with IoT: as a general rule, IoT innovation works with remote organizations' patient observation.

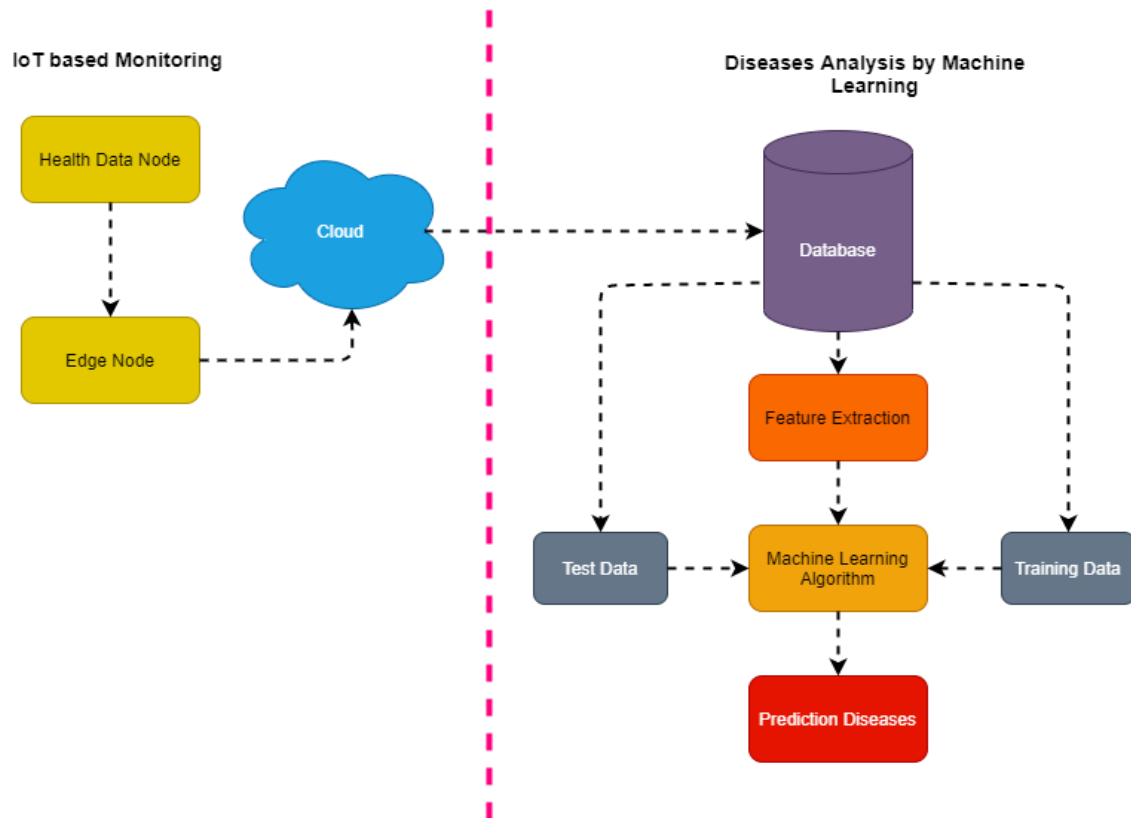


Figure 2. The Architecture of the Proposed System

**3.1. E-Health care compatibility with Machine learning and IoT**

Subsequent to getting information from IoT, the administrator worker carries out the AI approach. ML can be utilized for existing constant data sets to anticipate patient status. The e-healthcare application utilizes new AI calculations to remove anomalies in information and envision information to give a clearer comprehension of the patient’s condition. In the wake of getting information from IoT, the administrator worker executes the AI approach. ML can be utilized to anticipate patient status based on existing information bases. The e-healthcare application utilizes new AI calculations to remove irregularities in information and envision information to give a clearer comprehension of the patient’s condition.

**3.2. ML-based ANFIS classification algorithm**

Versatile synapse synapses are ordered into two kinds as per the blend of vague theoretical and engineered neuronal organization. In the primary case, the counterfeit neural organization incorporates the questionable theory, and in the second, the vague speculation coordinates the fake neurological organization.

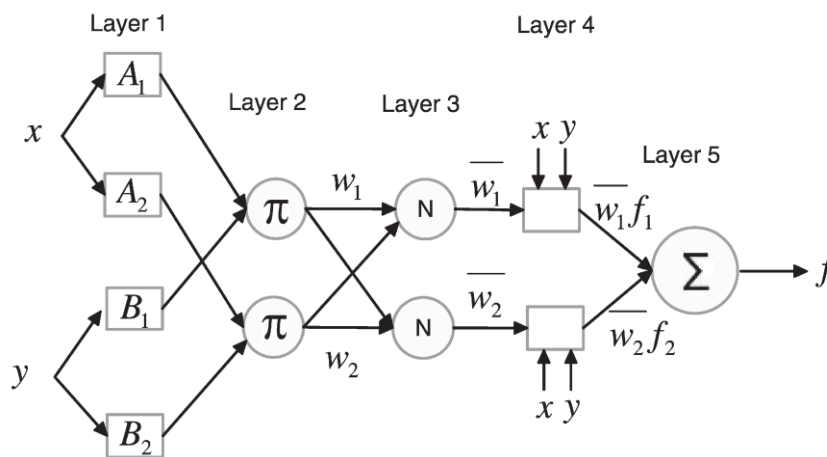


Figure 3. ANFIS

Among the second sort of strategies, obscure judiciousness has been effectively read as a strategy for incorporating counterfeit neural organizations, known as the Mamdani framework and the Tagaki–Sugeno framework [24]. The Mamdani framework has the type of a questionable set toward the finish of the standard, and the main line of the info variable toward the finish of the Takaki-Sukeno framework rule has the type of a direct condition. Among them, the Takaki-Sukeno framework is effective in terms of computational effectiveness, appropriate for creating rules related to the advancement technique for the fake neural organization, and enjoys the benefit of guaranteeing the progression of the yield space.

### 3.3. IoT Analytics

IoT examination can assume a part in the utilization of AI methods in information bases gathered from IoT. Each savvy mechanization framework needs examination, determination, and security to indicate its objectives continuously. Common-sense robotization frameworks, for example, [25] require IoT examination. The AI instrument provides efficient learning and preparation for the e-medical care mechanization machine, which can perform information grouping, information translation, information examination and information representation.

### 3.4. Data Modeling and Automation Analysis

IoT investigation is given by information displaying and significant level robotization examination ML instruments. The gathered information is prepared and put away by ML strategies for the e-healthcare worker. Information is put away in the distributed storage for more noteworthy accessibility to all investors. Lastly, the e-healthcare application provides preparation and prescient examinations that are dependent on the best dynamic oversight information utilizing some effective AI approaches [26]. A portrayal of a one-layer way to deal with AI is displayed in Table 1.

Presently, the creators have picked a research strategy. Here, the versatile neuro-unclear speculative framework (ANFIS) recognizes the best indicator. It is a prescient strategy and an administrative AI model utilized for a lot of administrative information. This can be best enhanced by utilizing both order and relapse strategies. We will build the distance between classes utilizing numerical techniques and a hyperplane characterized by this strategy. Embedding the information measurement in the visual plane at N-dimensional spans. Considering the ‘N’ is various perspectives with the portrayal of information things. The worth of every viewpoint is dependent on the worth of a specific incorporation. As far as grouping, we discovered two classes that fit hyperplanes very well.

## 4. RESULTS AND DISCUSSION

This section discusses the proposed work on executed testing and execution evaluation on e-medical care with an assortment of diabetes information gathered from UCI [27] extricated have a place with various times of pregnant ladies. The example for the test examination is displayed in the Diabetes Database Figure 3. The outcome is the class name of the data set, which might have two qualities (0 and 1) where 0 shows not diabetes and 1 demonstrates diabetes. The table 1 shows the dataset with proposed methodology prediction outcome.

Table 1. Dataset with proposed methodology prediction outcome

No. of Patients	Pregnancies	Glucose	Blood Pressure	Skin Thickness	Age	Outcomes
1	6	148	72	35	50	1
2	1	85	66	29	31	0.5
3	8	183	64	0	32	1
4	1	89	66	23	21	1
5	0	137	40	35	33	1

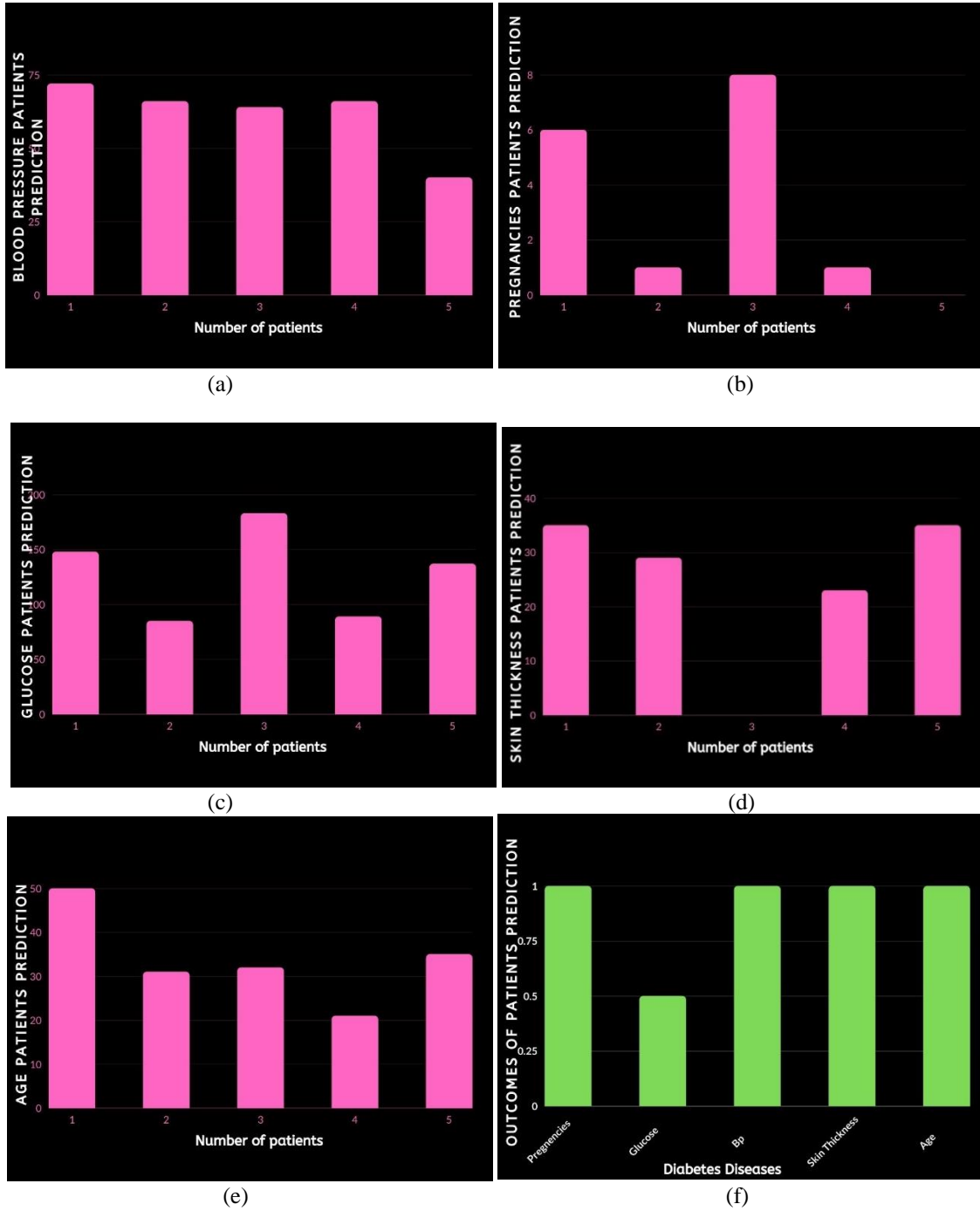


Figure 4. (a), (b), (c), (d), (e), and (f) Shows the graphical representation of the dataset with the proposed methodology prediction outcome.

Table 2. Performance of Metrics using ML ANFIS algorithm for Give Dataset

Diseases Name	Accuracy	Precision	Sensitivity	Specificity	Recall
<b>Pregnancies</b>	0.95%	0.93%	0.94%	0.92%	0.90%
<b>Glucose</b>	0.94%	0.92%	0.93%	0.91%	0.92%
<b>Blood Pressure</b>	0.96%	0.94%	0.95%	0.93%	0.92%
<b>Skin Thickness</b>	0.97%	0.95%	0.96%	0.94%	0.93%
<b>Age</b>	0.97%	0.96%	0.95%	0.94%	0.93%

The table 2 and 3 shows the Performance of Metrics using ML ANFIS algorithm for Give Dataset. This performance shows the better outcomes with help of proposed Machine Learning ANFIS algorithm when compared with other convention algorithms.

Table 3. Comparison Performances with the proposed methodology

Algorithms	Accuracy
SVM [28]	87%
Naïve Bayes [29]	90%
KNN [30]	94%
Proposed ANFIS	95.5%

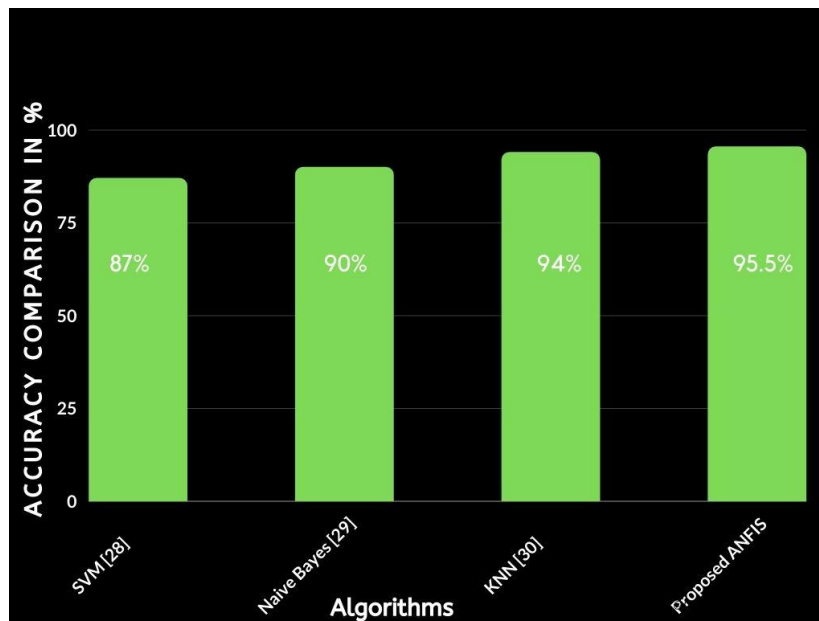


Figure 5. Shows the Comparison Performances with the proposed methodology.

## 5. CONCLUSION

Given its high level of responsibility and stringent regulations, the health industry is one of the most crucial and crucial areas for innovation. The Internet of Things (IoT) has opened up a world of possibilities for the healthcare industry and has the potential to solve many issues. Better potential for telemedicine, remote patient monitoring, and other uses will result from the use of scientific IoT. Thanks to ML models, this is possible. We presented the most potent ML algorithm for ANFIS classification in this research. We obtained information about diabetes from online places for a test description of the suggested procedure. The accumulated database is handled in the same manner as the IoT-gathered database.

## REFERENCES

- [1] K. Mtonga, S. Kumaran, C. Mikeka, K. Jayavel, and J. Nsenga, "Machine Learning-Based Patient Load Prediction and IoT Integrated Intelligent Patient Transfer Systems," *Futur. Internet*, vol. 11, no. 11, p. 236, Nov. 2019, doi: [10.3390/fi11110236](https://doi.org/10.3390/fi11110236).
- [2] A. Mosenia, S. Sur-Kolay, A. Raghunathan, and N. K. Jha, "Wearable Medical Sensor-Based System Design: A Survey," *IEEE Trans. Multi-Scale Comput. Syst.*, vol. 3, no. 2, pp. 124–138, Apr. 2017, doi: [10.1109/TMSCS.2017.2675888](https://doi.org/10.1109/TMSCS.2017.2675888).
- [3] N. Iqbal, F. Jamil, S. Ahmad, and D. Kim, "A Novel Blockchain-Based Integrity and Reliable Veterinary Clinic Information Management System Using Predictive Analytics for Provisioning of Quality Health Services," *IEEE Access*, vol. 9, pp. 8069–8098, 2021, doi: [10.1109/ACCESS.2021.3049325](https://doi.org/10.1109/ACCESS.2021.3049325).
- [4] T. Wu, F. Wu, J.-M. Redoute, and M. R. Yuca, "An Autonomous Wireless Body Area Network Implementation Towards IoT Connected Healthcare Applications," *IEEE Access*, vol. 5, pp. 11413–11422, 2017, doi: [10.1109/ACCESS.2017.2716344](https://doi.org/10.1109/ACCESS.2017.2716344).

- [5] M. N. Birje and S. S. Hanji, "Internet of things based distributed healthcare systems: a review," *J. Data, Inf. Manag.*, vol. 2, no. 3, pp. 149–165, Sep. 2020, doi: [10.1007/s42488-020-00027-x](https://doi.org/10.1007/s42488-020-00027-x).
- [6] R. R. Chandan, A. Balobaid, N. L. S. Cherukupalli, G. H L, F. Flammini, and R. Natarajan, "Secure Modern Wireless Communication Network Based on Blockchain Technology," *Electronics*, vol. 12, no. 5, p. 1095, Feb. 2023, doi: [10.3390/electronics12051095](https://doi.org/10.3390/electronics12051095).
- [7] P. M. Kumar and U. Devi Gandhi, "A novel three-tier Internet of Things architecture with machine learning algorithm for early detection of heart diseases," *Comput. Electr. Eng.*, vol. 65, pp. 222–235, Jan. 2018, doi: [10.1016/j.compeleceng.2017.09.001](https://doi.org/10.1016/j.compeleceng.2017.09.001).
- [8] N. Yuvaraj and K. R. SriPreethaa, "Diabetes prediction in healthcare systems using machine learning algorithms on Hadoop cluster," *Cluster Comput.*, vol. 22, no. S1, pp. 1–9, Jan. 2019, doi: [10.1007/s10586-017-1532-x](https://doi.org/10.1007/s10586-017-1532-x).
- [9] R. Miotto, F. Wang, S. Wang, X. Jiang, and J. T. Dudley, "Deep learning for healthcare: review, opportunities and challenges," *Brief. Bioinform.*, vol. 19, no. 6, pp. 1236–1246, Nov. 2018, doi: [10.1093/bib/bbx044](https://doi.org/10.1093/bib/bbx044).
- [10] O. I. Khalaf *et al.*, "Blinder Oaxaca and Wilk Neutrosophic Fuzzy Set-based IoT Sensor Communication for Remote Healthcare Analysis," *IEEE Access*, pp. 1–1, 2022, doi: [10.1109/ACCESS.2022.3207751](https://doi.org/10.1109/ACCESS.2022.3207751).
- [11] Rajesh N., A. Irudayasamy, M. S. K. Mohideen, and C. P. Ranjith, "Classification of Vital Genetic Syndromes Associated With Diabetes Using ANN-Based CapsNet Approach," *Int. J. e-Collaboration*, vol. 18, no. 3, pp. 1–18, Aug. 2022, doi: [10.4018/IJeC.307133](https://doi.org/10.4018/IJeC.307133).
- [12] P. Tyagi and S. K. Manju Bargavi, "Using Federated Artificial Intelligence System of Intrusion Detection for IoT Healthcare System Based on Blockchain," *Int. J. Data Informatics Intell. Comput.*, vol. 2, no. 1, pp. 1–10, Mar. 2023, doi: [10.59461/ijdiic.v2i1.42](https://doi.org/10.59461/ijdiic.v2i1.42).
- [13] A. Rajkomar, M. Hardt, M. D. Howell, G. Corrado, and M. H. Chin, "Ensuring Fairness in Machine Learning to Advance Health Equity," *Ann. Intern. Med.*, vol. 169, no. 12, p. 866, Dec. 2018, doi: [10.7326/M18-1990](https://doi.org/10.7326/M18-1990).
- [14] F. Jamil, S. Ahmad, N. Iqbal, and D.-H. Kim, "Towards a Remote Monitoring of Patient Vital Signs Based on IoT-Based Blockchain Integrity Management Platforms in Smart Hospitals," *Sensors*, vol. 20, no. 8, p. 2195, Apr. 2020, doi: [10.3390/s20082195](https://doi.org/10.3390/s20082195).
- [15] S. Jadhav, R. Kasar, N. Lade, M. Patil, and S. Kolte, "Disease Prediction by Machine Learning from Healthcare Communities," *Int. J. Sci. Res. Sci. Technol.*, pp. 29–35, May 2019, doi: [10.32628/IJSRST19633](https://doi.org/10.32628/IJSRST19633).
- [16] M. A. Ahmad, A. Teredesai, and C. Eckert, "Interpretable Machine Learning in Healthcare," in *2018 IEEE International Conference on Healthcare Informatics (ICHI)*, IEEE, Jun. 2018, pp. 447–447. doi: [10.1109/ICHI.2018.00095](https://doi.org/10.1109/ICHI.2018.00095).
- [17] T. Panch, P. Szolovits, and R. Atun, "Artificial intelligence, machine learning and health systems," *J. Glob. Health*, vol. 8, no. 2, Dec. 2018, doi: [10.7189/jogh.08.020303](https://doi.org/10.7189/jogh.08.020303).
- [18] F. Jamil, L. Hang, K. Kim, and D. Kim, "A Novel Medical Blockchain Model for Drug Supply Chain Integrity Management in a Smart Hospital," *Electronics*, vol. 8, no. 5, p. 505, May 2019, doi: [10.3390/electronics8050505](https://doi.org/10.3390/electronics8050505).
- [19] J. Wiens and E. S. Shenoy, "Machine Learning for Healthcare: On the Verge of a Major Shift in Healthcare Epidemiology," *Clin. Infect. Dis.*, vol. 66, no. 1, pp. 149–153, Jan. 2018, doi: [10.1093/cid/cix731](https://doi.org/10.1093/cid/cix731).
- [20] C.-Y. Hung, W.-C. Chen, P.-T. Lai, C.-H. Lin, and C.-C. Lee, "Comparing deep neural network and other machine learning algorithms for stroke prediction in a large-scale population-based electronic medical claims database," in *2017 39th Annual International Conference of the IEEE Engineering in Medicine and Biology Society (EMBC)*, IEEE, Jul. 2017, pp. 3110–3113. doi: [10.1109/EMBC.2017.8037515](https://doi.org/10.1109/EMBC.2017.8037515).
- [21] K. Y. Ngiam and I. W. Khor, "Big data and machine learning algorithms for healthcare delivery," *Lancet Oncol.*, vol. 20, no. 5, pp. e262–e273, May 2019, doi: [10.1016/S1470-2045\(19\)30149-4](https://doi.org/10.1016/S1470-2045(19)30149-4).
- [22] H. U. Dike, Y. Zhou, K. K. Deveerasetty, and Q. Wu, "Unsupervised Learning Based On Artificial Neural Network: A Review," in *2018 IEEE International Conference on Cyborg and Bionic Systems (CBS)*, IEEE, Oct. 2018, pp. 322–327. doi: [10.1109/CBS.2018.8612259](https://doi.org/10.1109/CBS.2018.8612259).
- [23] O. F.Y, A. J.E.T, A. O, H. J. O, O. O, and A. J, "Supervised Machine Learning Algorithms: Classification and Comparison," *Int. J. Comput. Trends Technol.*, vol. 48, no. 3, pp. 128–138, Jun. 2017, doi: [10.14445/22312803/IJCTT-V48P126](https://doi.org/10.14445/22312803/IJCTT-V48P126).
- [24] M. Praveena and V. Jaiganesh, "A Literature Review on Supervised Machine Learning Algorithms and Boosting Process," *Int. J. Comput. Appl.*, vol. 169, no. 8, pp. 32–35, Jul. 2017, doi: [10.5120/ijca2017914816](https://doi.org/10.5120/ijca2017914816).
- [25] Ashish Kumar Pandey and Prabhdeep Singh, "A Systematic Survey of Classification Algorithms for



- Cancer Detection,” *Int. J. Data Informatics Intell. Comput.*, vol. 1, no. 2, pp. 34–50, Dec. 2022, doi: [10.59461/ijdiic.v1i2.32](https://doi.org/10.59461/ijdiic.v1i2.32).
- [26] G. H. Golub, M. Heath, and G. Wahba, “Generalized Cross-Validation as a Method for Choosing a Good Ridge Parameter,” *Technometrics*, vol. 21, no. 2, p. 215, May 1979, doi: [10.2307/1268518](https://doi.org/10.2307/1268518).
- [27] S. S. Mahapatra, D. P. Tambuskar, and B. E. Narkhede, “A flexible clustering approach for virtual cell formation considering real-life production factors using Kohonen self-organizing map,” *Int. J. Ind. Syst. Eng.*, vol. 28, no. 2, p. 193, 2018, doi: [10.1504/IJISE.2018.10009807](https://doi.org/10.1504/IJISE.2018.10009807).
- [28] J. Ben Ali, L. Saidi, S. Harrath, E. Bechhoefer, and M. Benbouzid, “Online automatic diagnosis of wind turbine bearings progressive degradations under real experimental conditions based on unsupervised machine learning,” *Appl. Acoust.*, vol. 132, pp. 167–181, Mar. 2018, doi: [10.1016/j.apacoust.2017.11.021](https://doi.org/10.1016/j.apacoust.2017.11.021).
- [29] J. E. van Engelen and H. H. Hoos, “A survey on semi-supervised learning,” *Mach. Learn.*, vol. 109, no. 2, pp. 373–440, Feb. 2020, doi: [10.1007/s10994-019-05855-6](https://doi.org/10.1007/s10994-019-05855-6).
- [30] W. Hussain and O. Sohaib, “Analysing Cloud QoS Prediction Approaches and Its Control Parameters: Considering Overall Accuracy and Freshness of a Dataset,” *IEEE Access*, vol. 7, pp. 82649–82671, 2019, doi: [10.1109/ACCESS.2019.2923706](https://doi.org/10.1109/ACCESS.2019.2923706).

### BIOGRAPHIES OF AUTHORS



**Shivi Chaturvedi** has a doctorate in Electronics & Communication Engineering and an M.Tech in Computer Science Engineering and received a bachelor's degree in Electronics and Communication Engineering in the year 2002 from R.G.P.V, Bhopal (M.P) India. Presently, she is working as an Associate Professor in the Department of Computer Science Engineering, G.C.R.G Memorial Trust Group of Institutions, Lucknow, (U.P.), India. She can be contacted at email: [shivi.chaturvedi@gmail.com](mailto:shivi.chaturvedi@gmail.com)